

HP Designjet Z6100 Printer series

From posters to photos, maps to fine art, the HP Designjet Z6100 Printer series delivers exceptional print speeds with outstanding image quality and durability.¹ Plus, with an embedded spectrophotometer² and Original HP Vivera pigment inks, you'll get accurate, fade-resistant color every time you print.¹



Short turnaround times

Let this exceptionally fast printer handle peak workloads, last-minute requests, or real-time changes.

- **Print at extremely high speeds.** HP Double Swath technology and the first-ever HP Optical Media Advance Sensor give you a wide print swath and extremely accurate printing for great results at exceptionally high speeds.
- **Benefit from unattended printing.** High volume, unattended printing—even overnight—is easy, thanks to Original HP jumbo-length rolls up to 574 ft. long.
- **Skip the interruptions.** High-capacity 775 ml Original HP 91 Ink Cartridges with HP Vivera pigment inks mean even fewer stops and starts in your printing.

Outstanding image quality

Achieve vivid color and exceptional fade resistance with Original HP Vivera pigment inks.²

- **Discover vivid color.** Eight Original HP Vivera pigment inks deliver a wide color gamut with true neutral grays for outstanding image quality and detail.
- **Get lasting quality.** Interior display prints produced with Original HP Vivera pigment inks resist fading in or near a window for more than one year un laminated, more than three years laminated and more than 200 years away from direct sun.¹
- **Choose the media you need.** Attain outstanding quality on a wide variety of Original HP media types including photo, matte, banner, fine-art, and technical and graphic media and films.
- **Produce prints fast without sacrificing quality.** HP's innovative printhead design delivers accurate, small drop sizes, enabling high-quality, high-speed printing.

- **Print using the HP Designjet system for best results.** HP printers, HP Vivera pigment inks and Original HP media are developed together as a system to deliver optimal print quality and reliability.

Breakthrough color accuracy

Get consistent results print to print and printer to printer with HP's advanced closed-loop color calibration.

- **Count on consistent colors.** HP DreamColor Technologies provide you reliable, accurate colors every time you print regardless of fluctuating environmental conditions.
- **Easily add new media types and get accurate color.** The built-in spectrophotometer provides breakthrough color accuracy and lets you create ICC profiles in just 20 minutes for accurate profiling and precision printer calibration.
- **Create the best results every time.** HP's Advanced Profiling Solution allows you to accurately calibrate and profile colors. The HP Color Center provides step-by-step instructions for adding new media, calibrating and optimizing color output.

Easy-to-use job management tools

Increase your efficiency with more options.

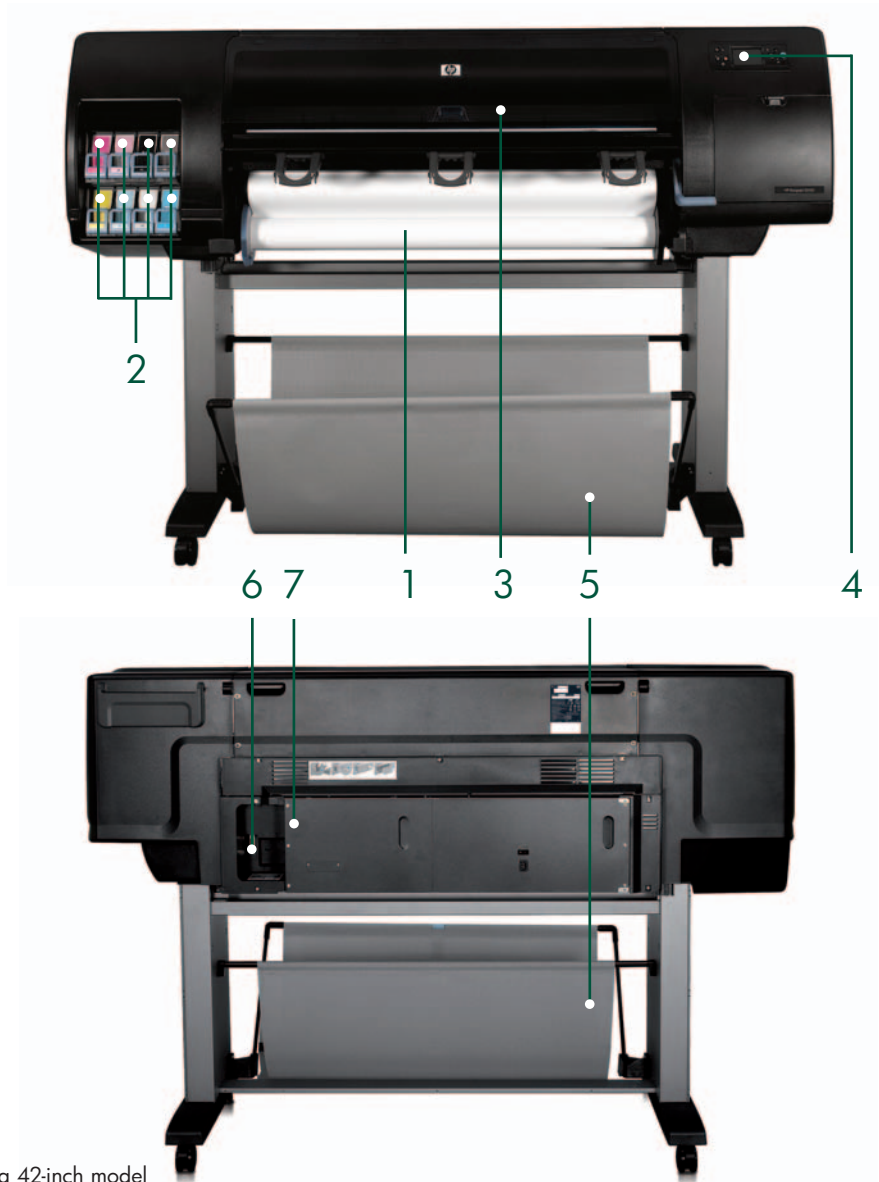
- **Track your supplies costs.** Accounting features track ink and media use to help you monitor costs on a print-by-print basis.
- **Change what you need, minus the hassle.** Easily adapt in real time by resetting job priorities, reprinting stored jobs, and previewing before printing.
- **Store jobs as long as you want.** The 40 GB hard disk adds security and convenience, allowing you to keep submitted jobs on your printer.

¹ Display-permanence rating for interior displays away from direct sunlight by HP Image Permanence Lab and by Wilhelm Imaging Research, Inc. on a range of HP media. Water resistance and interior in-window display ratings by HP Image Permanence Lab on a range of HP media. For details: www.hp.com/go/supplies/printpermanence.

² With i1 Color Technology from GretagMacbeth.

HP Designjet Z6100 Printer series

1. Roll feed accommodates media rolls up to 575 ft
2. High-capacity 775 ml Original HP 91 Ink Cartridges with HP Vivera pigment ink supplies
3. Eight Original HP printheads (two sets of four printheads)
4. Easy-to-reach, intuitive front panel
5. Media stand and bin collect drawings as they print (standard on 42-inch printer)
6. Ethernet connection ensures easy workgroup integration
7. EIO slot accommodates an array of HP JetDirect options



Printer shown is a 42-inch model

Printer series at a glance

HP Designjet Z6100 Printer:

- Choose from 42- or 60-inch models
- 256 MB RAM (42-inch), 512 MB RAM (60-inch)
- 40 GB hard disk
- Direct file submission of HP-RTL, HP-GL/2, CALS G4, TIFF and JPEG files

HP Designjet Z6100ps Printer:

- Choose from 42- or 60-inch models
- Embedded Adobe® PostScript 3 RIP
- 256 MB RAM (42-inch), 512 MB RAM (60-inch) and 40 GB hard disk
- Direct file submission of HP-RTL, HP-GL/2, CALS G4, TIFF, JPEG, PostScript, EPS and PDF files

Options:

- HP Designjet 42-inch Scanner
- 256 MB upgrade (available on 42-inch model)
- HP Advanced Profiler Solution
- Additional spindles for easy media swapping
- User maintenance kit
- Dual-mode take-up reel (standard on 60-inch; optional on 42-inch models)
- Media bin (standard on 42-inch; optional on 60-inch models)
- USB or HP JetDirect network solutions

HP System

HP Vivera pigment ink

Work with millions of color combinations across a wide color gamut and wide range of media. The Original HP Vivera pigment inks include the HP three-black ink set that produces a broad range of blacks, subtle transitions, true gray neutrality, and rich black density. Exclusive Original HP Vivera pigment ink formulations are delivered by HP 91 Printheads that are designed to achieve precise, accurate placement of smaller drops at high speed. Each printhead prints two colors of ink with 1,056 nozzles per color. Working together, these components produce a range of vibrant colors, smooth neutral gray transitions, crisp text, and fine line accuracy for a wide color gamut, incredible detail, and photo-image quality.

The first-ever HP Optical Media Advance Sensor allows you to print at top speeds and still get great output results. This breakthrough technology improves paper-advance control and accuracy, so the printer can print at higher speeds across multiple environmental conditions without impairing image quality.

Amazing color

The HP embedded spectrophotometer, with i1 Color Technology from GretagMacbeth, is mounted on the printer carriage for accurate printer calibration measurements that deliver print-to-print and printer-to-printer color consistency. It revolutionizes professional color workflows by systematically creating media profiles, allowing users to automatically generate custom CMYK ICC profiles for their preferred media. Also, with the optional HP Advanced Profiling Solution, you can edit and modify existing profiles and create RGB profiles.



HP Media

Choose from more than 50 Original HP large-format media substrates for a broad range of applications, including bond, coated, photo and proofing papers; technical and graphic papers and films; and backlit, self-adhesive, banner and sign, fabric/textile and fine arts printing materials. Original HP media is designed together with HP Vivera pigment inks to produce consistently outstanding image quality that you can count on—from photo-quality images to high-quality posters and banners to crisp line drawings.

HP Services

Want to ensure your printer is always available and productive? Check out HP Care Pack Services for installation and multi-year on-site services. Experts are available with technical phone, web and on-site services to make sure you get the most efficient use of your printer. Competitively priced, flexible packages let you select service levels, hours of coverage and response times that meet your needs.

HP technology leadership

Outstanding speed

HP Double Swath technology provides breakthrough speed and performance. The HP Designjet Z6100 Printer series includes two sets of four HP Vivera pigment ink printheads, creating a wide print swath—up to 1.8 inches—and a high firing frequency to deliver prints with amazing speed.

HP DreamColor Technologies make it easy for you to produce accurate, predictable and consistent color across different printers, presses and media. The HP Designjet Z6100 Printer series comes equipped with HP DreamColor Technologies: HP Professional PANTONE® emulation, HP's closed-loop color calibration and automatic ICC profiling with the HP embedded spectrophotometer and software. The result? The HP Designjet Z6100 Printer series, plus HP media and HP 91 Vivera pigment inks, produce vivid and accurate color prints—print to print and printer to printer.

High productivity

The HP Easy Printer Care Tool lets you easily navigate through color-management, printing and job-management workflows, and the HP Color Center provides easy-to-use, step-by-step instructions on how to add new media and calibrate the printer. Plus, the HP Designjet Z6100ps printer's accounting tool allows you to easily track supplies use by job, while the job submitter tool lets you submit your HP-RTL, HP-GL/2, CALS G4, PostScript, PDF, TIFF, EPS and JPEG files directly to the printer.

HP Designjet Z6100 Printer series

Technical specifications

Print speed³																									
Fast	720 f ² /hr (66.9 m ² /hr), 42 sec/page on D/A1 (on coated paper) 252 f ² /hr (23.4 m ² /hr), 2.1 min/page on D/A1 (on glossy paper)																								
Best	147 f ² /hr (13.7 m ² /hr), 3.3 min/page on D/A1 (on coated paper) 98 f ² /hr (9.1 m ² /hr), 5 min/page on D/A1 (on glossy paper)																								
Maximum print speed	1134 f ² /hr (105.4 m ² /hr), 35 sec/page on D/A1 (on plain paper)																								
Print resolution maximum	2400 x 1200 optimized dpi																								
Memory	42-inch models: 256 MB standard memory, ⁴ 40 GB hard disk 60-inch models: 512 MB standard memory, 40 GB hard disk																								
Media																									
Handling	Roll feed																								
Types	Bond and coated paper (bond, bright white bond, coated, heavyweight coated, super heavyweight matte, colored); technical paper (natural tracing, translucent, vellum); film (clear, matte, polyester white matte); photographic paper (gloss, semi-gloss, satin, RC matte); proofing paper (high-gloss, semi-gloss, matte); backlit; self-adhesive (indoor paper, polypropylene, vinyl); banner and sign (display film, banner, polypropylene, scrim, Tyvek, outdoor paper, billboard paper blue back); fabric (flag fabric, polyester, silk satin); fine art printing material (satin canvas, matte canvas, canvas paper, aquarella, watercolor, smooth, textured, litho-realistic)																								
Weight	Up to 430 g/m ² depending on media type																								
Size	42-inch models: 24- to 42-inch rolls 60-inch models: 24- to 60-inch rolls																								
Thickness	Up to 22 mil																								
Maximum roll length	575 ft/175 m																								
Printing																									
Margins	0.2 x 0.2 x 0.2 x 0.2 inch/5 x 5 x 5 mm																								
Technology	HP Thermal Inkjet																								
Ink cartridge colors (8)	Cyan, magenta, matte black, photo black, yellow, light cyan, light gray, light magenta																								
Ink types	Original HP Vivera pigment inks																								
Ink drop	4 pl (light cyan, light magenta, light gray, photo black), 6 pl (cyan, magenta, yellow, matte black)																								
Ink cartridge size	775 ml Original HP ink cartridges; HP 3-ink Cartridge Multipacks also available																								
Nozzles	2 colors per printhead, 1056 nozzles per color, 16,896 total nozzles																								
Minimum line width	0.003 in./0.067 mm																								
Line accuracy	+/- 0.1% ⁵																								
Maximum print length	575 ft/175 m (OS and application dependent)																								
Connectivity																									
Interfaces (standard)	One EIO slot, Gigabit Ethernet																								
Interfaces (optional)	HP Designjet high-speed USB 2.0 card, compatible HP JetDirect LAN cards																								
Print languages (standard)	HP Designjet Z6100 Printer: HP-GL/2, HP-RTL, TIFF, JPEG, CALS G4; HP Designjet Z6100ps Printer: Adobe PostScript Level 3, Adobe PDF 1.6, HP-GL/2, HP-RTL, TIFF, JPEG, CALS G4																								
Drivers (included)	HP Designjet Z6100 Printer: HP-GL/2, HP-RTL Windows drivers, ADI driver for AutoCAD R14, support for AutoCAD 200x, support for Citrix MetaFrame environments; HP Designjet Z6100ps Printer: HP-GL/2, HP-RTL Windows drivers, PS Windows drivers, ADI driver for AutoCAD R14, support for AutoCAD 200x, support for Citrix MetaFrame environments, PS driver for Mac OS X v 10.2.8, 10.3, 10.4																								
Environmental ranges																									
Operating temperature	41 to 104° F/5 to 40° C																								
Recommended operating temperature	59 to 95° F/15 to 35° C																								
Storage temperature	-13 to 131° F/-25 to 55° C																								
Operating humidity	20 to 80% RH																								
Acoustic																									
Sound pressure, active	51 dB(A)																								
Sound pressure, standby	38 dB(A)																								
Sound power, active	6.8 B(A)																								
Power consumption																									
Maximum	350 watts																								
Powersave	21 watts																								
Off	0.4 watts																								
Power requirements	Input voltage: 100 to 127 VAC (+/- 10%), 4 amp; 220 to 240 VAC (+/- 10%), 2 amp; 50/60 Hz (+/- 3 Hz); voltage autorange																								
Certification																									
Safety	United States and Canada (CSA certified), EU (LVD and EN60950-1-compliant), Russia (GOST), Singapore (PSB), China (CCC), Argentina (IRAM), Mexico (NHYCE)																								
Electromagnetic	Compliant with Class A requirements, including USA (FCC rules), Canada (DoC), EU (EMC Directive), Australia (ACA), New Zealand (MoC), China (CCC), Japan (VCCI), Korea (MIC), Taiwan (BSMI)																								
Environmental	ENERGY STAR [®] qualified models; see: http://www.hp.com/go/energystar , EU WEEE, and RoHS Directives																								
Warranty	One-year limited hardware warranty; 8-hour, 5 days a week phone support																								
Service and support																									
Care packs	<table border="0"> <tr> <td></td> <td>42-inch model</td> <td>60-inch model</td> </tr> <tr> <td></td> <td>HP 3-Year Next Day Onsite Service</td> <td>H5504E</td> </tr> <tr> <td></td> <td>HP 4-Year Next Day Onsite Service</td> <td>H3615E</td> </tr> <tr> <td></td> <td>HP 5-Year Next Day Onsite Service</td> <td>H3616E</td> </tr> <tr> <td></td> <td>HP 1-Year Post-Warranty Next Day Onsite Service</td> <td>H44607PA/PE</td> </tr> <tr> <td></td> <td>HP Installation with Network Configuration Service</td> <td>H4518E</td> </tr> <tr> <td></td> <td>HP Color Expert Service 1-Year/1 case</td> <td>UF315E</td> </tr> <tr> <td></td> <td>HP Color Expert Service 1-Year/5 cases</td> <td>UF037E</td> </tr> </table>		42-inch model	60-inch model		HP 3-Year Next Day Onsite Service	H5504E		HP 4-Year Next Day Onsite Service	H3615E		HP 5-Year Next Day Onsite Service	H3616E		HP 1-Year Post-Warranty Next Day Onsite Service	H44607PA/PE		HP Installation with Network Configuration Service	H4518E		HP Color Expert Service 1-Year/1 case	UF315E		HP Color Expert Service 1-Year/5 cases	UF037E
	42-inch model	60-inch model																							
	HP 3-Year Next Day Onsite Service	H5504E																							
	HP 4-Year Next Day Onsite Service	H3615E																							
	HP 5-Year Next Day Onsite Service	H3616E																							
	HP 1-Year Post-Warranty Next Day Onsite Service	H44607PA/PE																							
	HP Installation with Network Configuration Service	H4518E																							
	HP Color Expert Service 1-Year/1 case	UF315E																							
	HP Color Expert Service 1-Year/5 cases	UF037E																							

For more information, visit our website at www.hp.com/go/designjetz6100



³ Mechanical printing time. Measured on a 60-inch model.

⁴ Expandable to 512 MB through a 256 MB Designjet-qualified DIMM

⁵ ± 0.1% of the specified vector length or ± 0.1 mm (whichever greater)



Recommended system requirements	
Macintosh	Mac OS X v 10.2.8, 10.3, 10.4: 1 GHz PowerPC G4, 256 MB, 512 MB available hard disk space
Windows	Microsoft Windows 2000, XP Home, XP Professional: Pentium IV, 3 GHz, 1 GB RAM, 2 GB available hard disk
Dimensions (w x d x h)	
Printer with stand	42-inch models 77.5 x 27.5 x 53 in./1970 x 700 x 1350 mm 60-inch models 97 x 27.5 x 53 in./2450 x 700 x 1350 mm
Shipping	42-inch models 89 x 29.5 x 47.9 in./2260 x 750 x 1216 mm 60-inch models 107.3 x 29.5 x 53.6 in./2725 x 750 x 1361 mm
Weight	
Printer with stand	42-inch models: 192 lb/87 kg 60-inch models: 242.5 lb/110 kg
Shipping	42-inch models: 429.9 lb/195 kg 60-inch models: 564.4 lb/256 kg

What's in the box
42-inch models: Printer, Original HP 91 Printheads (4 x 2 colors each), Original HP 91 Ink Cartridges (8 x 775 ml), Original HP Maintenance Cartridge, Original HP Media roll, stand and basket (42 in.), maintenance kit, spindle, three-inch spindle adaptor kit, quick reference guide, setup poster, startup DVD, customer service guide, power cord
60-inch models: Printer, Original HP 91 Printheads (4 x 2 colors each), Original HP 91 Ink Cartridges (8 x 775 ml), Original HP Maintenance Cartridge, Original HP Media roll, stand (60 in.), take-up reel (60 in.), maintenance kit, spindle, three-inch spindle adaptor kit, quick reference guide, setup poster, startup DVD, customer service guide, power cord

HP Designjet Z6100 42-inch Take-Up Reel—What's in the box
 Spindle (42-in.), tubes, deflector, sensor module, right module, left module, hardware kit
 Package dimensions 55.1 x 25.6 x 8.8 in./1400 x 650 x 224 mm
 Package weight 27.8 lb/12.6 kg

HP Designjet Z6100 60-inch Media Bin—What's in the box
 Basket (60-inch), hardware kit, setup poster
 Package dimensions 69.5 x 5.3 x 7.5 in./1766 x 135 x 190 mm
 Package weight 8.8 lb/4 kg

HP Designjet Z6100 User Maintenance Kit—What's in the box
 Plate cleaning kit, carriage interconnect wiper kit, printhead carriage lubrication kit, roller lubrication kit, maintenance absorber
 Package dimensions 10.8 x 10.8 x 2 in./275 x 275 x 50 mm
 Package weight 1.3 lb/570 g

Ordering information
Product
 Q6651A HP Designjet Z6100 42-inch Printer
 Q6652A HP Designjet Z6100 60-inch Printer
 Q6653A HP Designjet Z6100ps 42-inch Printer
 Q6654A HP Designjet Z6100ps 60-inch Printer

Accessories
 Q1277A HP Designjet 42-inch Scanner
 Q5673A HP Designjet 256 MB Memory Upgrade
 Q5680A HP Designjet High Speed USB 2.0 Card
 Q6695A HP Advanced Profiling Solution International
 Q6701A HP Advanced Profiling Solution Asia Pacific
 Q6706A HP Designjet Z6100 42-inch Take-Up Reel
 Q6707A HP Designjet Z6100 42-inch Spindle
 Q6708A HP Designjet Z6100 60-inch Spindle
 Q6714A HP Designjet Z6100 60-inch Media Bin
 Q6715A HP Designjet Z6100 User Maintenance Kit
 J7997G HP JetDirect 630n IPv6 Gigabit Print Server
 J7961G HP JetDirect 635n IPv6/IPv4 Print Server

Printheads (4)
 C9460A HP 91 Matte Black and Cyan Printhead
 C9461A HP 91 Magenta and Yellow Printhead
 C9462A HP 91 Light Magenta and Light Gray Printhead
 C9463A HP 91 Photo Black and Light Cyan Printhead
 C9518A HP 91 Maintenance Cartridge

Single ink cartridges (8)
 C9464A HP 91 775-ml Matte Black Ink Cartridge
 C9465A HP 91 775-ml Photo Black Ink Cartridge
 C9466A HP 91 775-ml Light Gray Ink Cartridge
 C9467A HP 91 775-ml Cyan Ink Cartridge
 C9468A HP 91 775-ml Magenta Ink Cartridge
 C9469A HP 91 775-ml Yellow Ink Cartridge
 C9470A HP 91 775-ml Light Cyan Ink Cartridge
 C9471A HP 91 775-ml Light Magenta Ink Cartridge

Ink cartridge multipacks (8)
 C9480A HP 91 775-ml 3-ink Matte Black Cartridges Multipack
 C9481A HP 91 775-ml 3-ink Photo Black Cartridges Multipack
 C9482A HP 91 775-ml 3-ink Light Gray Cartridges Multipack
 C9483A HP 91 775-ml 3-ink Cyan Cartridges Multipack
 C9484A HP 91 775-ml 3-ink Magenta Cartridges Multipack
 C9485A HP 91 775-ml 3-ink Yellow Cartridges Multipack
 C9486A HP 91 775-ml 3-ink Light Cyan Cartridges Multipack
 C9487A HP 91 775-ml 3-ink Light Magenta Cartridges Multipack

Media supplies
 Q8757A HP Universal Instant-dry Semi-gloss Photo Paper 60 in. x 200 ft/1524 mm x 61 m
 Q8756A HP Universal Instant-dry Gloss Photo Paper 60 in. x 200 ft/1524 mm x 61 m
 Q8755A HP Universal Instant-dry Semi-gloss Photo Paper 42 in. x 200 ft/1067 mm x 61 m
 Q8754A HP Universal Instant-dry Gloss Photo Paper 42 in. x 200 ft/1067 mm x 61 m
 Q1956A HP Heavyweight Coated Paper 42 in. x 225 ft/1067 mm x 67.5 m
 Q8751A HP Universal Inkjet Bond Paper 36 in. x 574 ft/914 mm x 175 m

More HP media offerings available at www.hp.com/go/designjet/supplies